

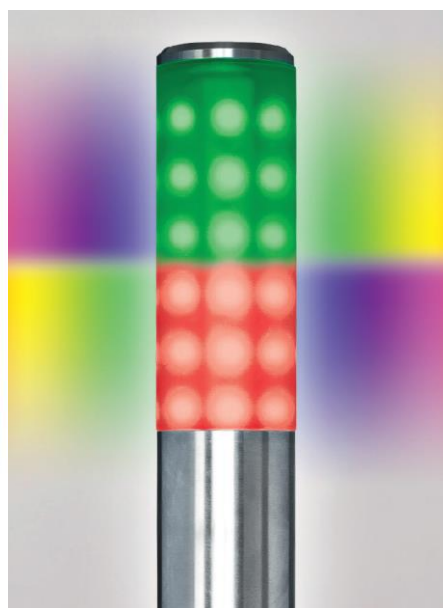
operating manual

signal lights

ESL256 / ESL256 2-segment ESL257 / ESL257 2-segment



ESL 256
ESL 257 with buzzer



ESL 256 2 segment
ESL 257 2 segment with buzzer



Thank you for choosing our signal lights ESL 256/ESL 257.

If you have any questions regarding our product, please contact Elwitec GmbH in Switzerland.

Please read this operating instructions completely before using and keep it for reading up.

Spaelti AG

Chefholzstrasse 15

Phone: +41(0) 55 256 80 90, Fax: +41(0) 55 256 80 91,

E-Mail: info@spaelti-ag.ch Homepage: www.spaelti-ag.ch

1. Description and function

The signal lights ESL 256 / ESL 257 is meant for representing and showing the signals visually e.g :

End of cycle of a machine

Warning in case of disturbances

Security alert

Industrial automation

General engineering

Security technology

The lamp is tested for IP- Protection IP 67. (without ESL 257)

Any other use than for ESL 256 leads to warranty and liability committee.

This also applies to conversions and modifications to the signal lamp.

2. Assembly

Assembly :

Make sure that the light was disconnected from the power circuit.

The lamp can be fixed to the wall or another surface by using the mounting bracket and four screws

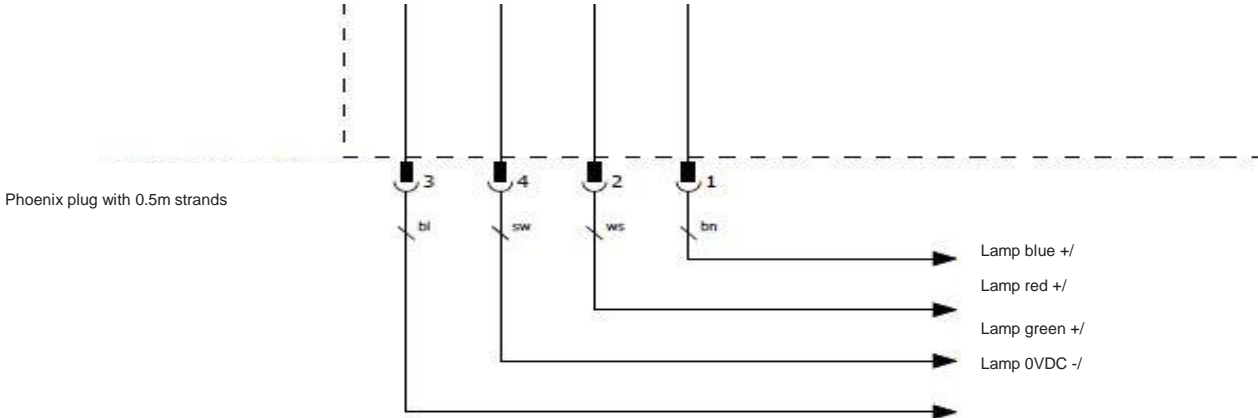
3. Model variants ESL 256/ESL257

- 1 segment ESL 256
- 2 segments ESL 256
- Lamp with print until 256 different colours
- I/O Link capable lamp until 256 colours
- ESL 257 with buzzer (1 segment or 2 segments no IP- Protection)

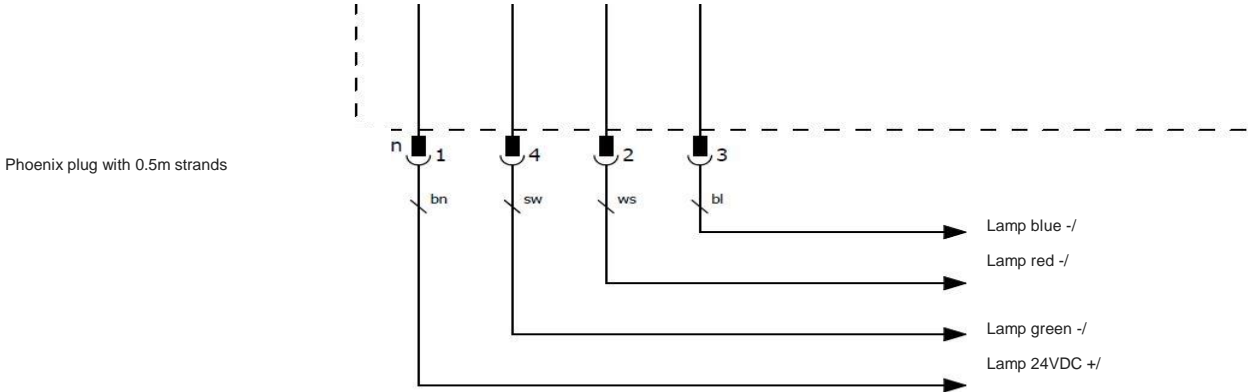
4. Commissioning

Connect the light ESL 256/ESL257 according to the following wiring diagram

Connection scheme ESL ESL256 PNP version:



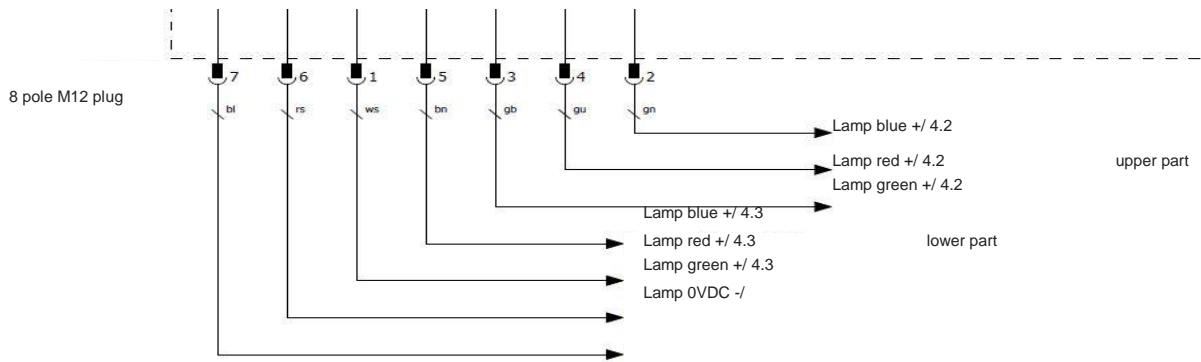
Connection scheme. ESL256 NPN version



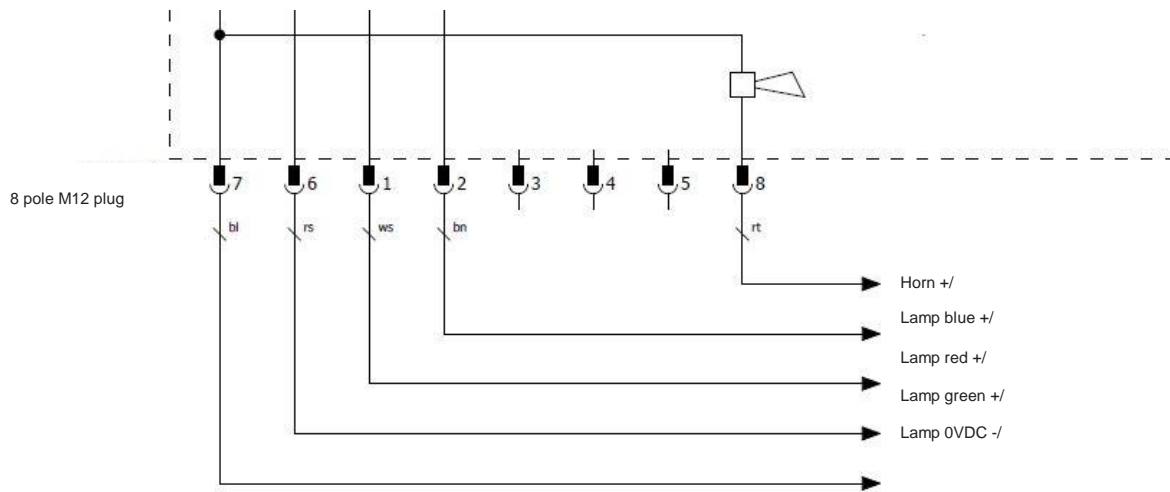
In the ESL 256 can with 3 inputs per segment 7 colours be displayed.

Red, blue, green, yellow, violett, light blue, white

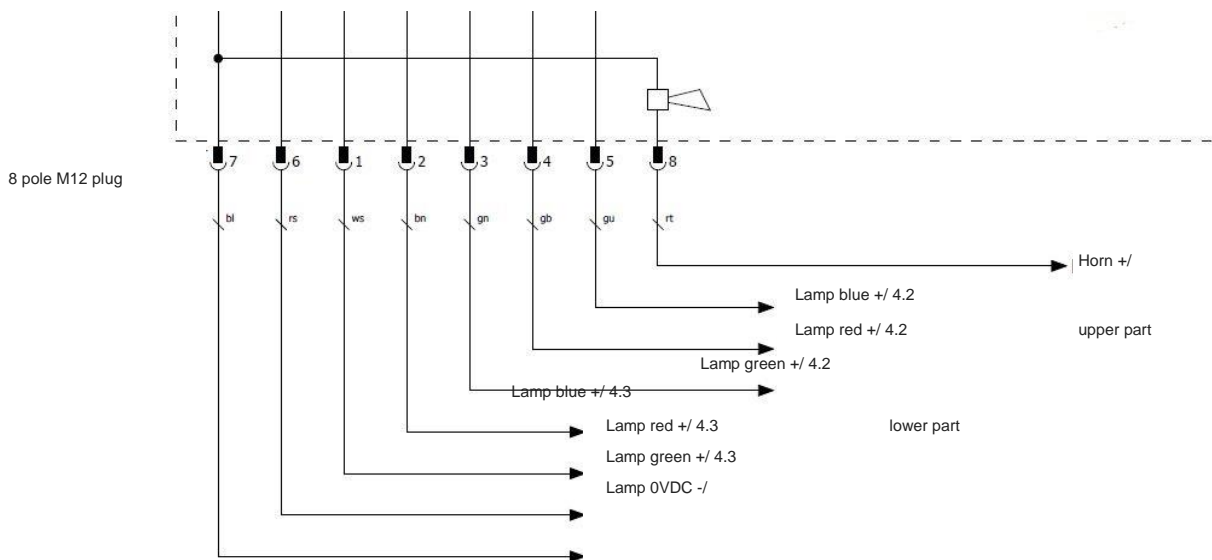
Connection scheme. 2 segments version



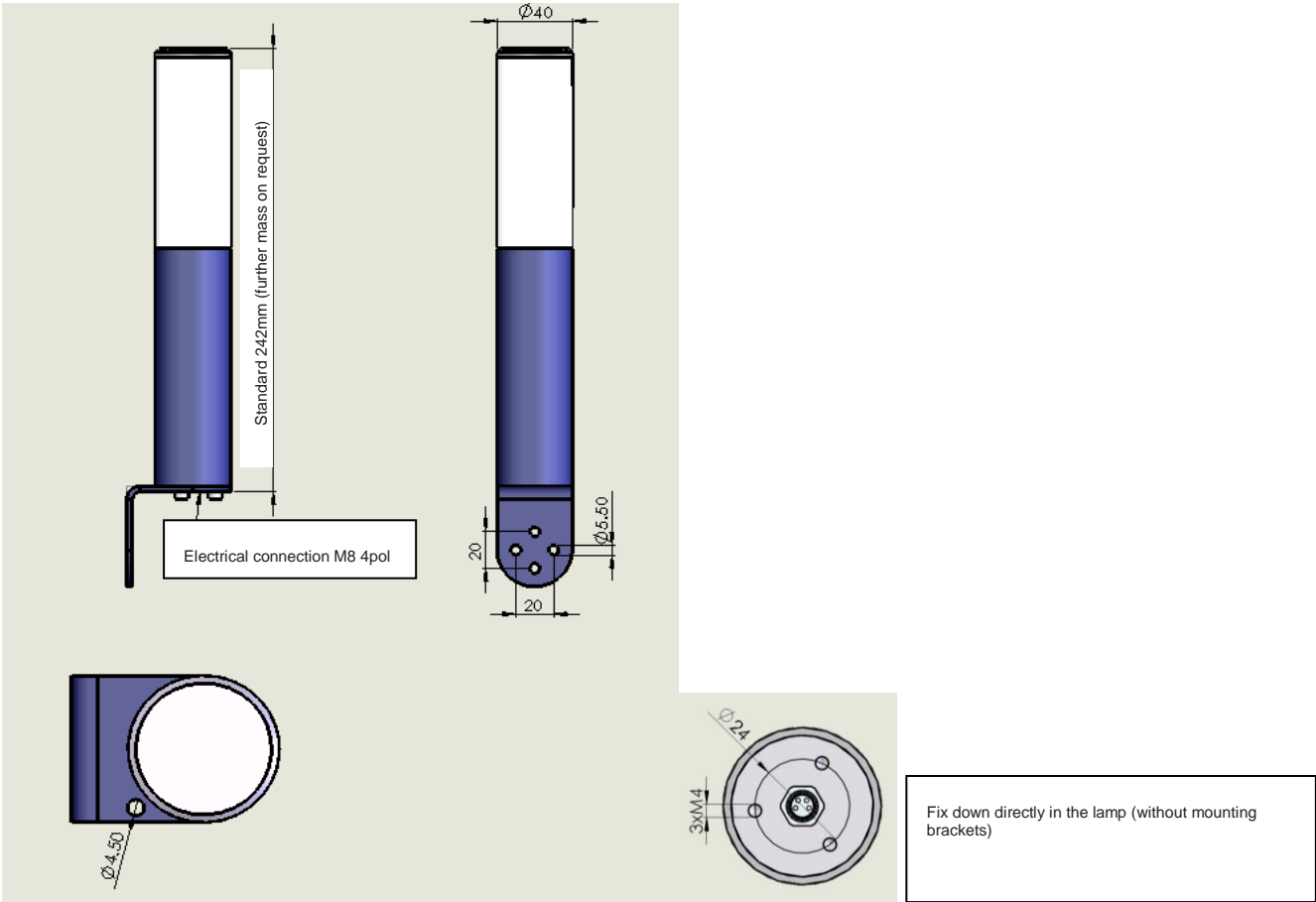
Connection scheme ESL257 mit with buzzer



Connection scheme ESL257-2 segments with buzzer



5. Model with masses



6. Technical specifications

LED- lamp	36 LEDs, RGB
colours	up to 256 different colours
working temperature range.....	-10° Celsius bis +45° Celsius
ambient humidity.....0 -100 %
power supply.....	24 V DC
watt.....	max.10W
Dimensions (diameter x height).....	40 x 362 mm
weight.....	from 1.1 Kg
height.....	variable further mass on request
IP protection type.....	IP67

7. Error notes

If the light can't be turned on, so the following causes may have occurred:

- Electric wire wrong connected or not connected
- Cable break
- Plug defect
- No voltage at the entrance

8. Safety, use and maintenance instructions

The light is built according to EG- Product guidelines and the latest standards of technology and the recognized safety rules.

Nevertheless, when using it, there can be risks for the users body and life. Or Impairments to the lamp or other materials assets.



Danger!

The signal light is only to be used for representing visual signals. According to its intended use and in safety terms and immaculate condition!

The operational safety of the luminaire is only guaranteed when used as intended!

Removing the cover will void the warranty.

Do not use solvent- based cleaning agents for cleaning.

9. Variety of colours with the ESL with three entrances

red	green	blue	colours	description
0	0	0		Out
1	0	0		red
0	1	0		green
0	0	1		blue
1	1	0		yellow
1	0	1		magenta
0	1	1		cyan
1	1	1		white

10. CE- Identification

CE- Identification

Indicates the conformity with valid european guidelines

Which concern the product and prescribe a CE- Identification



11. Disposal

Do not dispose the lamp in a household waste.

Electronic equipment is according to the rules for electro- electronics old devices to dispose through the local electronics collection points

